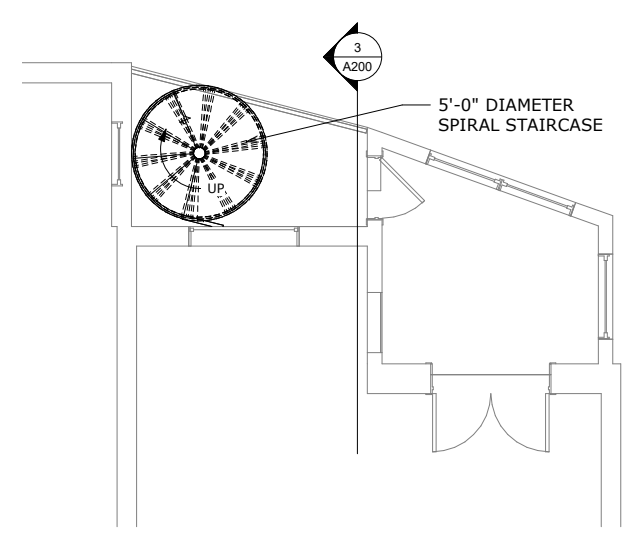
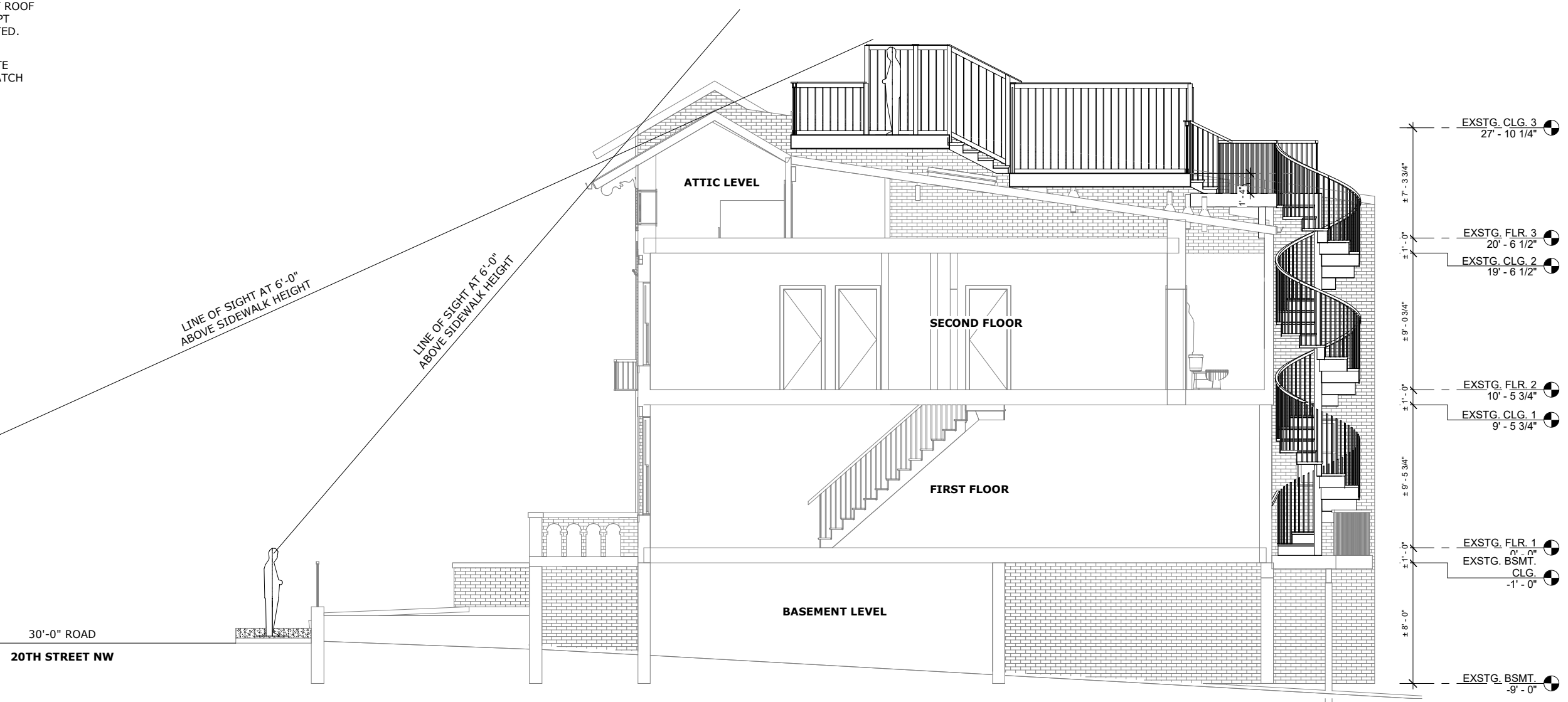


① Proposed Roof Plan
1/8" = 1'-0"



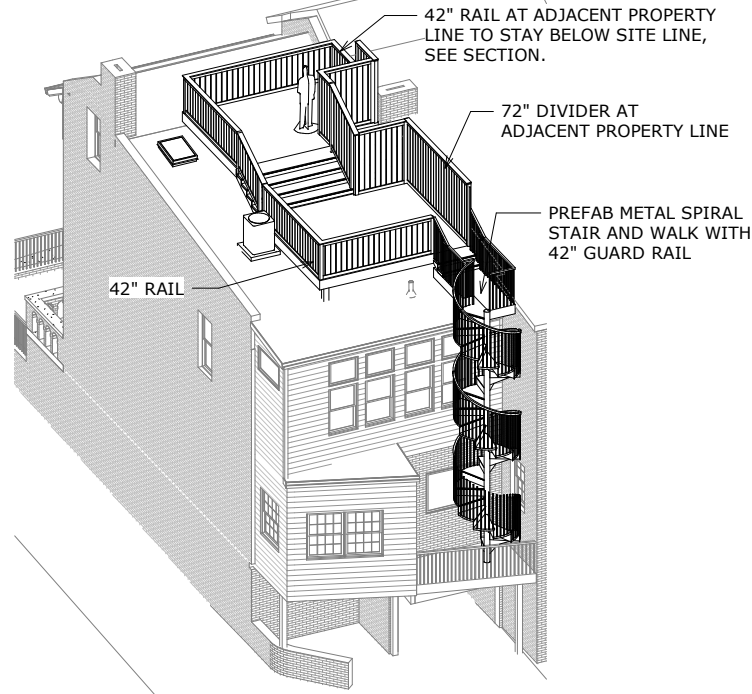
② Proposed First Floor Plan - Partial
1/8" = 1'-0"



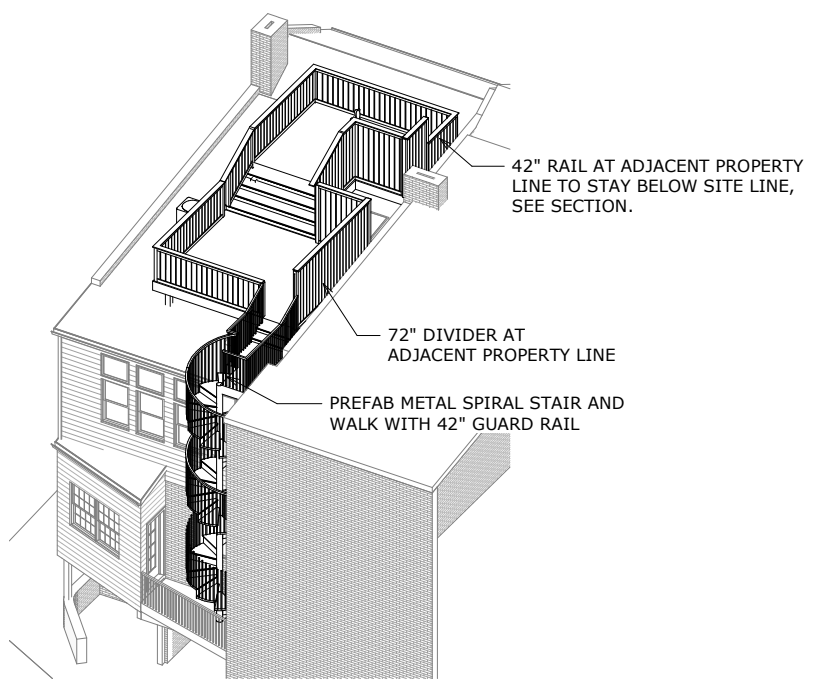
③ Longitudinal Section thru Roof Deck
1/8" = 1'-0"



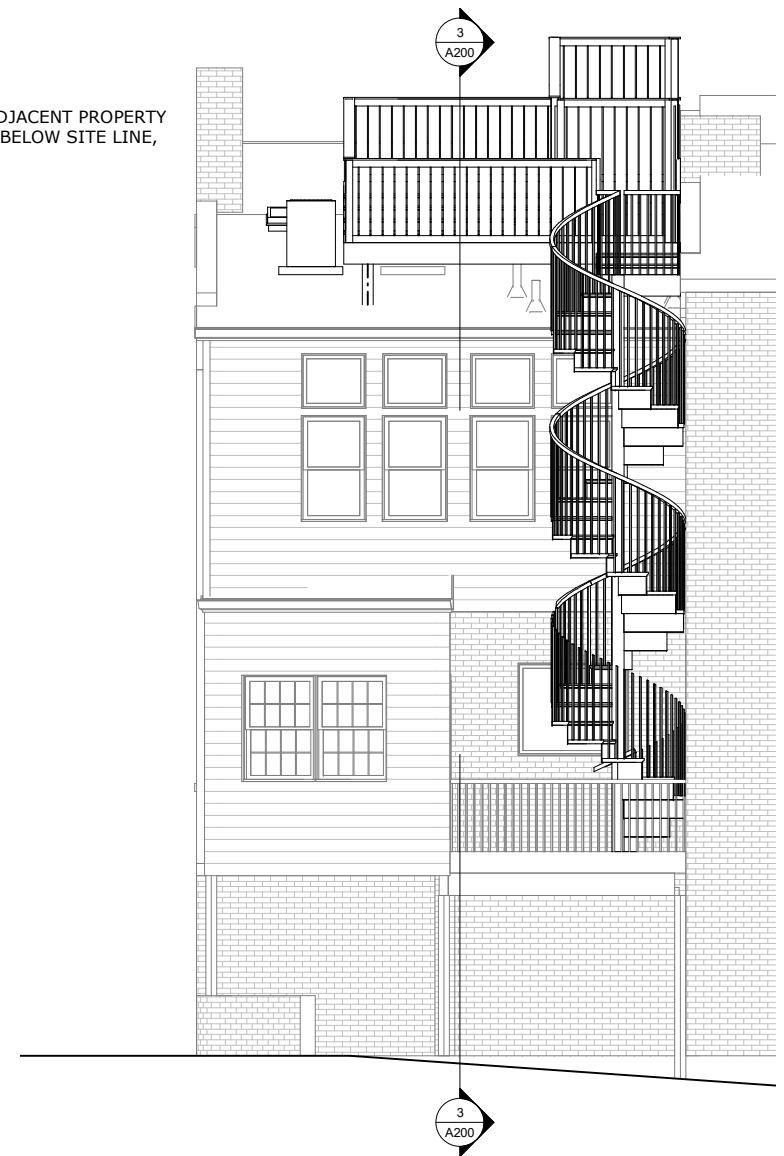
① Proposed Front Elevation
1/8" = 1'-0"



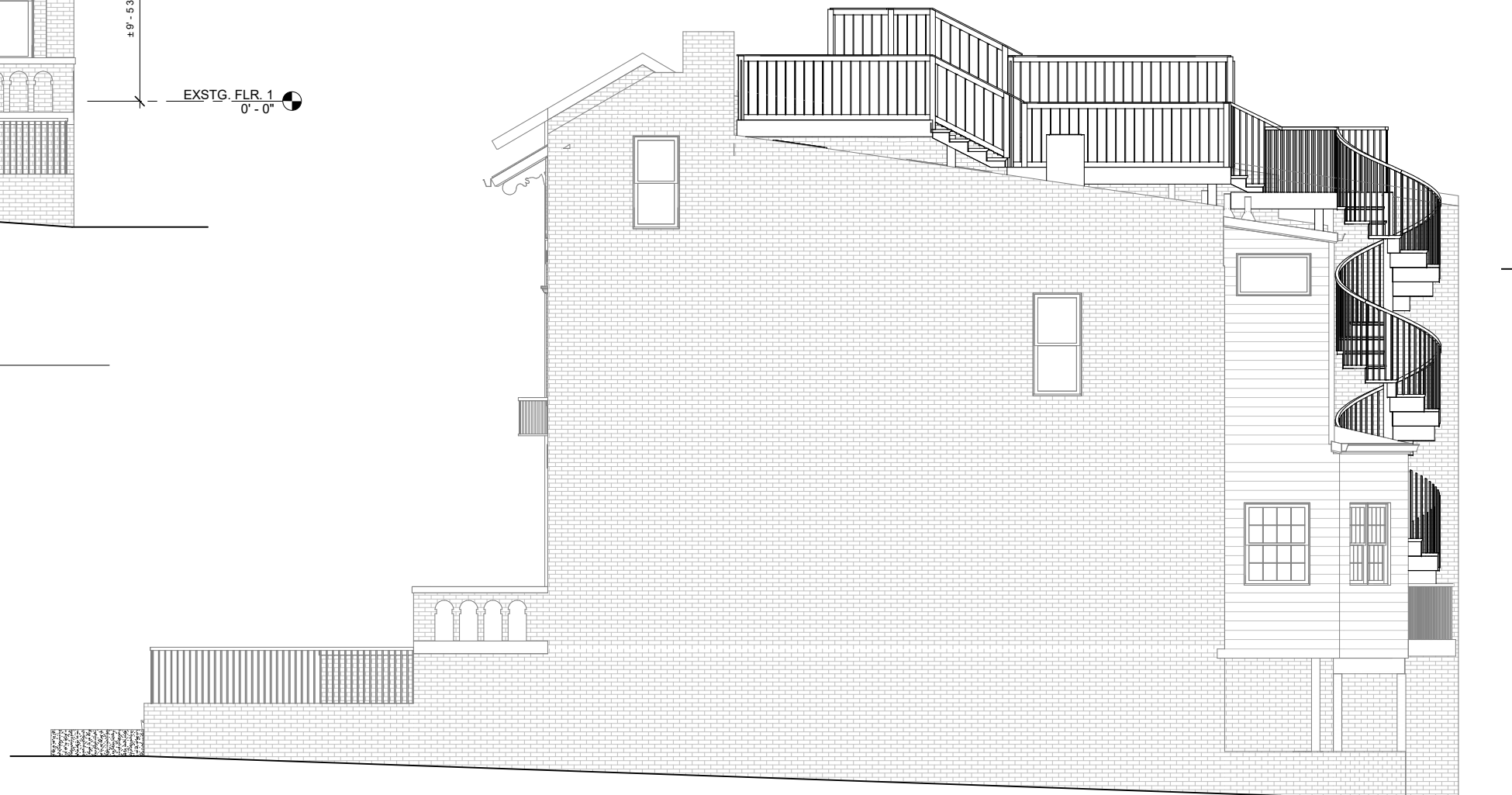
④ 3D- New Construction BirdsEye



⑤ 3D- New Construction BirdsEye 2



② Proposed Rear Elevation
1/8" = 1'-0"



③ Proposed Right Elevation
1/8" = 1'-0"